



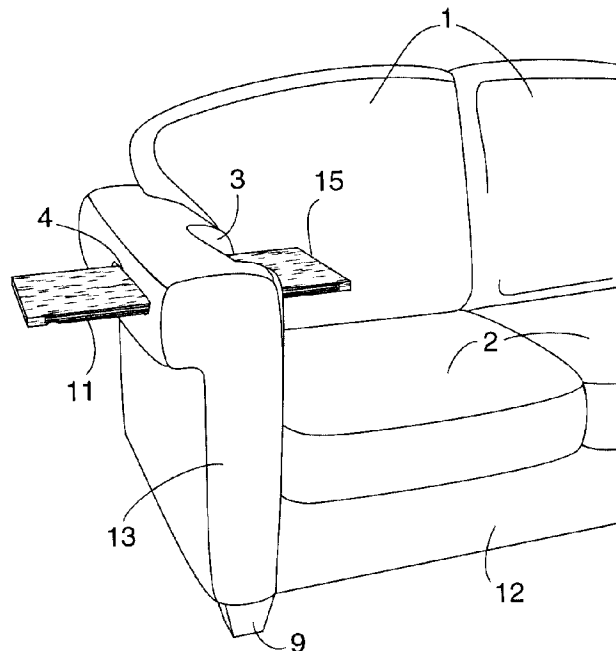
(72) WHISTANCE-SMITH, WALLACE JOHN, CA

(71) WHISTANCE-SMITH, WALLACE JOHN, CA

(51) Int.Cl.⁶ A47C 17/86, A47C 7/62

(54) **MECANISME DE SORTIE DE SURFACE
MULTIFONCTIONNEL**

(54) **MULTI-FUNCTIONAL SURFACE DELIVERY SYSTEM**



(57) The Multi-functional Surface Delivery System as described within this submission is an invention providing a bi-directional work surface encapsulated within a piece of fine furniture, that can be deployed for a myriad of tasks such as laptop use or meal consumption. Work surface movement is bi-directional providing the user with both an end table or tray system, which can be positioned internally over seats (as a tray) or externally (forming an end table). The Multi-functional Surface Delivery System is comprised of a work surface, with two-associated guide slots, placed within two dowels, all securely fastened to the associated furniture. Dowel and guide slots provide smooth movement of the work surface during both deployment and storage of the Multi-functional Surface Delivery System. Additional features include work surface extraction slits, located within the guide slots permitting removal of the subsystem from the fine furniture facilitating both cleaning and / or replacement.