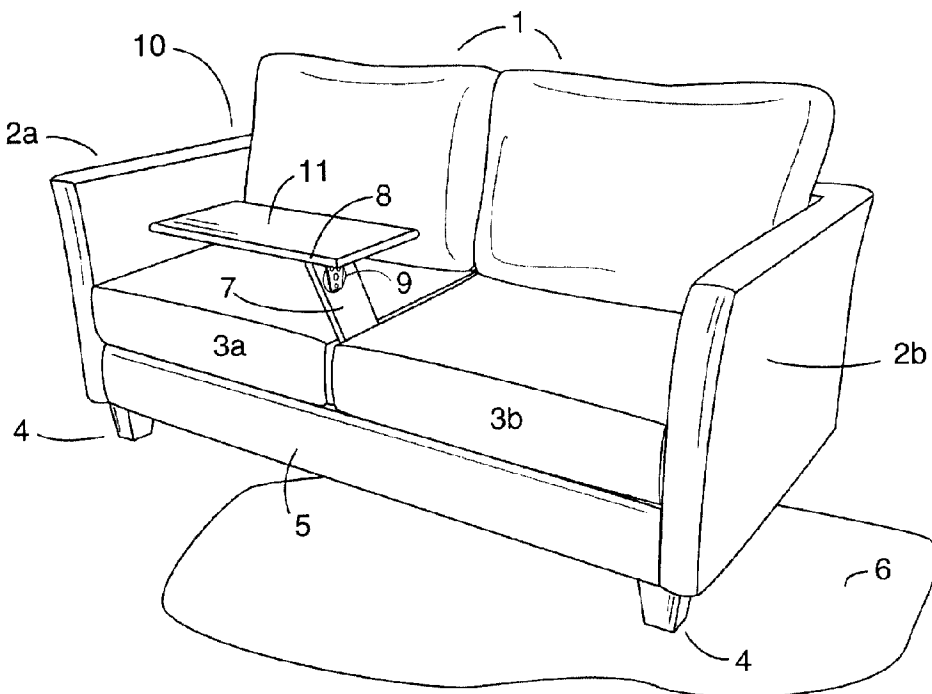




(22) Date de dépôt/Filing Date: 1999/06/18
(41) Mise à la disp. pub./Open to Public Insp.: 2000/10/23
(45) Date de délivrance/Issue Date: 2001/07/31

(51) Cl.Int.⁶/Int.Cl.⁶ A47B 23/00, A47B 23/02, A47B 3/00
(72) Inventeur/Inventor:
WHISTANCE-SMITH, WALLACE JOHN, CA
(73) Propriétaire/Owner:
WHISTANCE-SMITH, WALLACE JOHN, CA

(54) Titre : SYSTEME DE RECEPTION A GALETS
(54) Title: TRAY DELIVERY SYSTEM



(57) Abrégé/Abstract:

The tray delivery system as described within this submission is an invention providing a simple process of specified motions resulting in a multifunctional tray surface while in the extended position of use; when not in use, this invention is concealed within a compact storage position in the associated furniture. The tray delivery system consists of a swivel hinge subsystem connecting the tray and arm components moveable within a dual guide rail subsystem securely fastened to the base of the associated furniture. The dual guide rail subsystem permits both simple extraction of the tray delivery system from the associated furniture's base, and depth accommodation based on individual preference and body size.